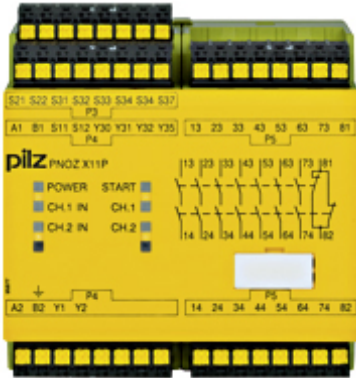


PNOZ X11P C 230-240VAC 7n/o 1n/c 2so

787086



Safety relay (standalone) Inputs: 1-/2-channel wiring with/without detection of shorts across contacts Outputs: 7 N/O, 1 N/C, 2 semiconductor. Automatic/monitored start UB 230 - 240 V AC, width: 90 mm, plug-in spring-loaded terminals Monitoring E-STOP, safety gates.

Technical details

Certifications:	CE;cULus Listed;EAC (Eurasian);TÜV;CCC
Application options:	Instantaneous E-STOP monitoring;Limit switch;Safety gate monitor
Operating modes:	Single-channel;Automatic reset;Dual-channel;Manual reset;Detection of shorts across contacts;Monitored manual reset
Product standard:	EN 60947-5-1
Standards:	EN 60204-1;EN 62061;EN ISO 13849-1;VDE 0113-1
Supply voltage (V):	230,0 - 240,0
Supply voltage type:	AC
Supply voltage type 2:	DC
Supply voltage 2 (V):	24
Terminal style:	Plug-in
Terminal type:	Spring-loaded terminal
Number of instantaneous safety contacts:	7
Number of delayed safety contacts:	0
Number of auxiliary contacts:	1
Number of semiconductor outputs:	2
Stop category:	0
Max. current at DC13 I (6 cycles/min):	7.0 A
Max. current at AC15:	5.0 A
Width dimension:	90.0 mm
Height dimension:	101.0 mm

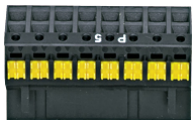
Depth dimension:	121.0 mm
Gross weight:	650 g
Net weight:	640 g
Ambient temperature:	-10 - 55 °C

Optional accessories



374291

PNOZ X Set spring loaded terminals P3+P4



374292

PNOZ X Set spring loaded terminals P5+P5