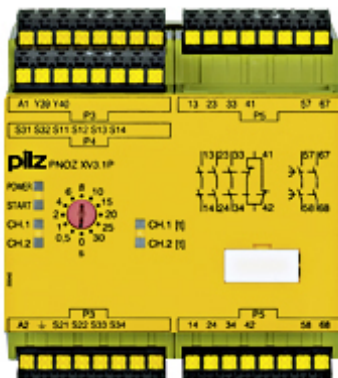


## PNOZ XV3.1P C 30/24-240VACDC 3no 1nc 2no

787530



Safety relay (standalone) Inputs: 1-/2-channel wiring with/without detection of shorts across contacts Outputs: 3 N/O, 2 N/C, 2 N/O (t = 0 - 30 s). Automatic/monitored start UB 24 - 240 V AC/DC, width: 90 mm, plug-in spring-loaded terminals. Monitoring E-STOP, safety gates.

### Technical details

Certifications:	CE;cULus Listed;EAC (Eurasian);TÜV;CCC
Application options:	Instantaneous E-STOP monitoring;Limit switch;Light beam device mon. Type 2 with t/p;Light beam device mon. Type 2 w/o t/p;Light beam device mon. Type 4;Safety gate monitor;Delayed E-STOP monitoring
Operating modes:	Single-channel;Automatic reset;Dual-channel;Detection of shorts across contacts;Monitored manual reset;without detection of shorts across contacts
Product standard:	EN 60947-5-1
Standards:	EN 60204-1;EN 62061;EN ISO 13849-1;VDE 0113-1
Supply voltage (V):	24,0 - 240,0
Supply voltage type:	AC/DC
Terminal style:	Plug-in
Terminal type:	Spring-loaded terminal
Number of instantaneous safety contacts:	3
Number of delayed safety contacts:	2
Safety contact delay type:	Delay-on de-energisation
Number of auxiliary contacts:	1
Number of semiconductor outputs:	0
Selectable times:	0,10 s;0,50 s;1,00 s;10,00 s;15,00 s;2,00 s;20,00 s;25,00 s;30,00 s;4,00 s;6,00 s;8,00 s
Stop category:	0/1
Max. current at DC13 I (6 cycles/min):	7.0 A

Max. current at AC15:	5.0 A
Width dimension:	90.0 mm
Height dimension:	101.0 mm
Depth dimension:	121.0 mm
Gross weight:	545 g
Net weight:	535 g
Ambient temperature:	-10 - 55 °C

## Optional accessories



374291

PNOZ X Set spring loaded terminals P3+P4



374292

PNOZ X Set spring loaded terminals P5+P5