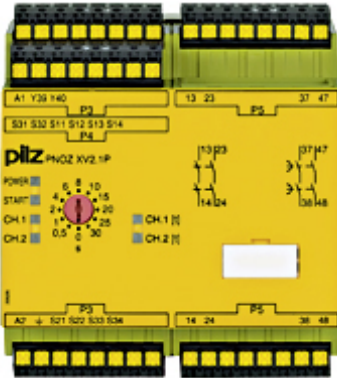


## PNOZ XV2.1P C 3/24-240VACDC 2n/o 2n/o t

787542



Safety relay (standalone) Inputs: 1-/2-channel wiring with/without detection of shorts across contacts Outputs: 2 N/O, 2 N/O (t = 0 - 3 s) . Automatic/monitored start UB 24 - 240 V AC/DC, width: 90 mm, plug-in spring-loaded terminals. Monitoring E-STOP, safety gates.

### Technical details

Certifications:	CE;cULus Listed;EAC (Eurasian);TÜV;CCC
Application options:	Instantaneous E-STOP monitoring;Limit switch;Safety gate monitor;Delayed E-STOP monitoring
Operating modes:	Single-channel;Automatic reset;Dual-channel;Detection of shorts across contacts;Monitored manual reset
Product standard:	EN 60947-5-1
Standards:	EN 60204-1;EN 62061;EN ISO 13849-1;VDE 0113-1
Supply voltage (V):	24,0 - 240,0
Supply voltage type:	AC/DC
Terminal style:	Plug-in
Terminal type:	Spring-loaded terminal
Number of instantaneous safety contacts:	2
Number of delayed safety contacts:	2
Safety contact delay type:	Delay-on de-energisation
Number of semiconductor outputs:	0
Selectable times:	0,10 s;0,20 s;0,30 s;0,40 s;0,50 s;0,60 s;0,70 s;0,80 s;1,00 s;1,50 s;2,00 s;3,00 s
Stop category:	0/1
Max. current at DC13 I (6 cycles/min):	7.0 A
Max. current at AC15:	5.0 A
Width dimension:	90.0 mm
Height dimension:	101.0 mm

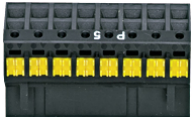
Depth dimension:	121.0 mm
Gross weight:	525 g
Net weight:	515 g
Ambient temperature:	-10 - 55 °C

## Optional accessories



374291

PNOZ X Set spring loaded terminals P3+P4



374292

PNOZ X Set spring loaded terminals P5+P5